

Installation Instructions for the Storm Case Divider Set

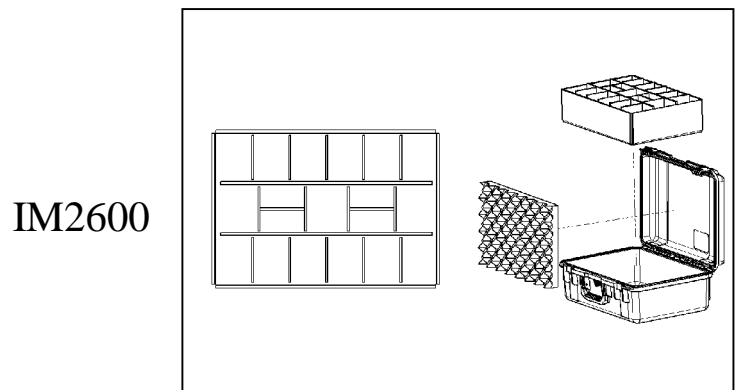
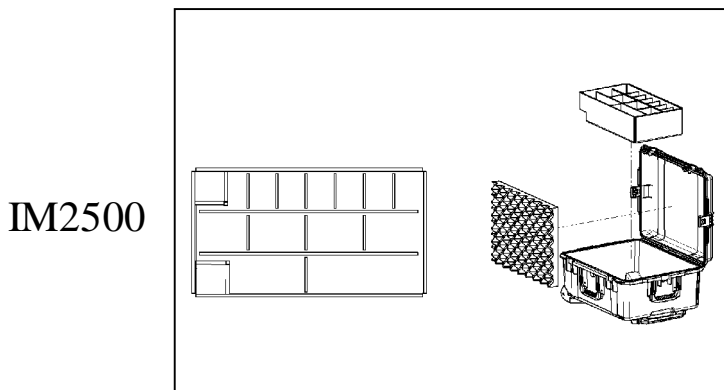
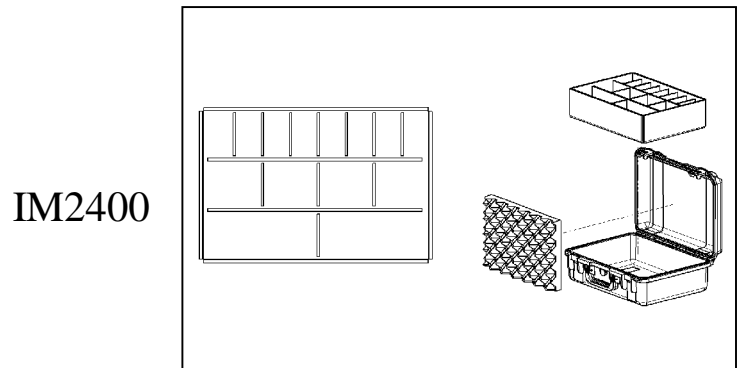
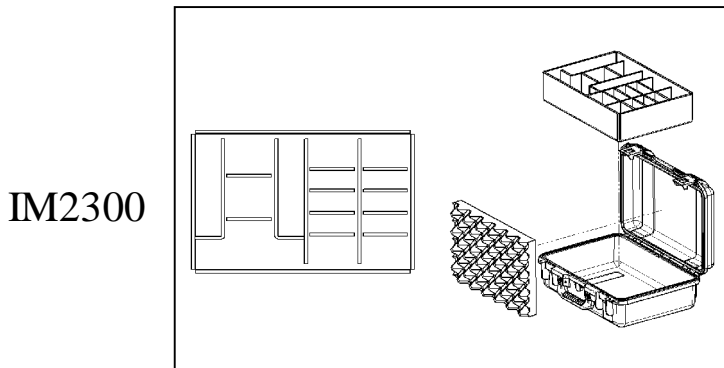
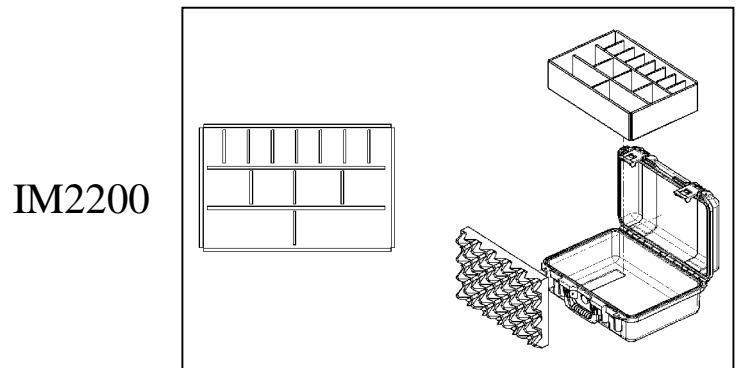
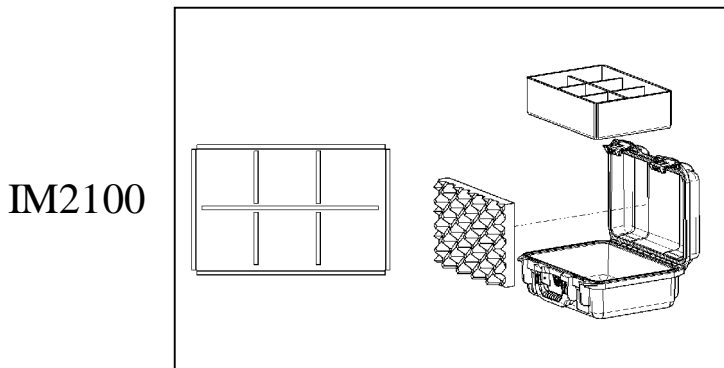
Thank you for purchasing a Storm Case Padded Divider Set! The following are some tips on setting up your divider set to meet your individual needs:

1. Inspect your divider kit. Depending on model, The contents of the kit should be as follows:

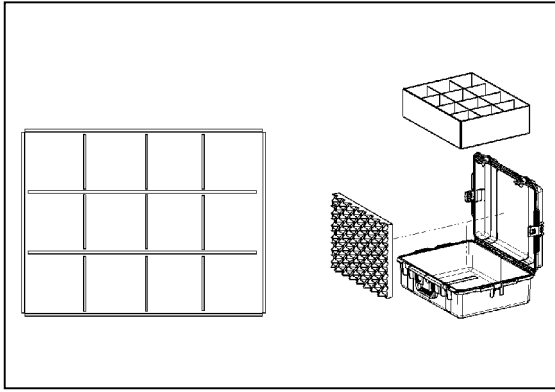
MODEL	CONTENTS	MODEL	CONTENTS
IM2100	1 Base, 1 Long, 4 Short	IM2200	1 Base, 2 Long, 11 Short
IM2300	1 Base, 2 Long, 10 Short, 2 Adjustable	IM2400	1 Base, 2 Long, 11 Short
IM2500	1 Base, 2 Long, 10 Short, 2 Corner (L & R)	IM2600	1 Base, 6 Short, 10 Medium, 2 Long
IM2700	1 Base, 9 Short, 2 Long	IM2720	1 Base, 3 Short, 2Corner(L & R), 2 Long(rigid), 4 short(rigid)
IM2750	1 Base, 3 Short, 2Corner(L & R), 2 Long(rigid), 4 short(rigid). - 1 Tray base, 2 long, 9 short	IM2950	1 Base, 11 Long, 4 short, 2 Corner(L & R), 2 Long(rigid), 1 Medium(Rigid), 2 Short(rigid)
IM2975	1 Base, 2 Long(Rigid), 12 Short, IM2950 contents		

There should also be a piece of convolute (rippled) foam that fits into the lid of every case.

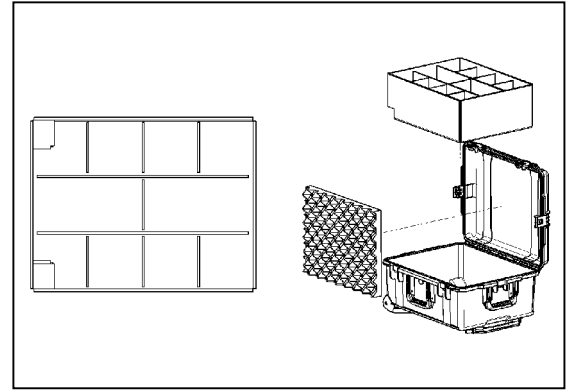
2. Choose a layout scheme that fits your particular needs. The default layouts are as follows, but you can arrange the dividers to fit your needs:



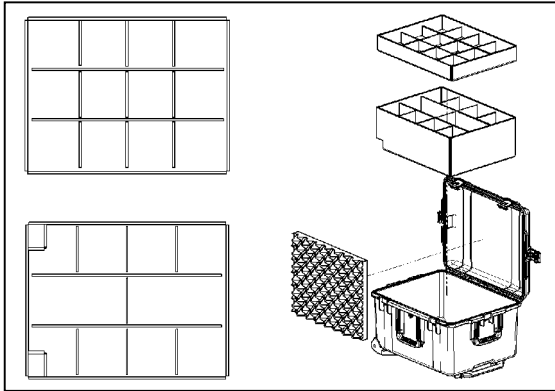
IM2700



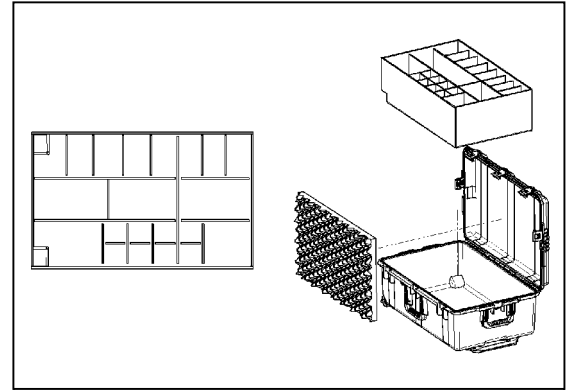
IM2720



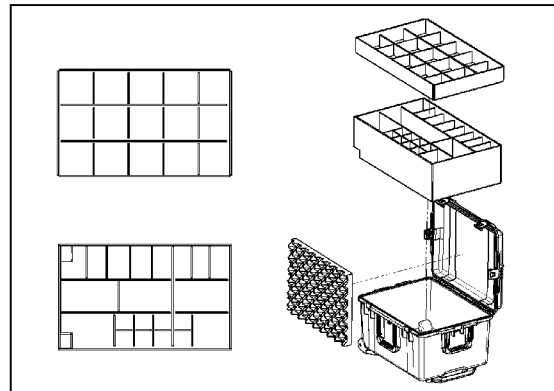
IM2750



IM2950



IM2975



3. Fold up the four sides of the base shell. Secure the sides with the loop material provided on the inside corners.
4. If you have a case with wheels, you may cover the internal wheel well openings with padded covers. Fold the covers into a box shape, and secure the hook strips to the base shell loop material over the wheel wells.
5. Start placing dividers into place. To make placement easier, line the shell bottom and walls with pieces of paper in the area in which the divider will go. Once you have the divider in place, simply slide out the pieces of paper so that the divider hook strips can grab the base shell loop material.
6. Finish by placing the convolute foam in the case lid.