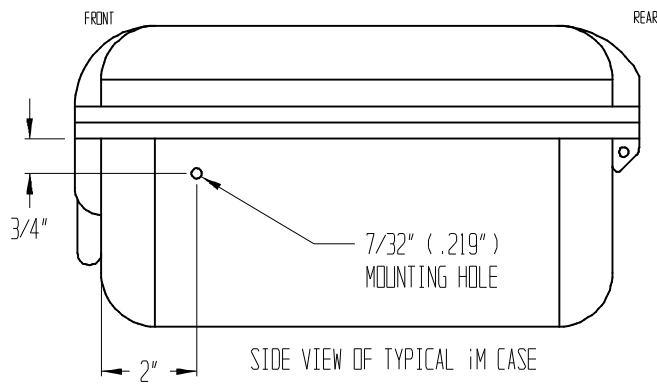
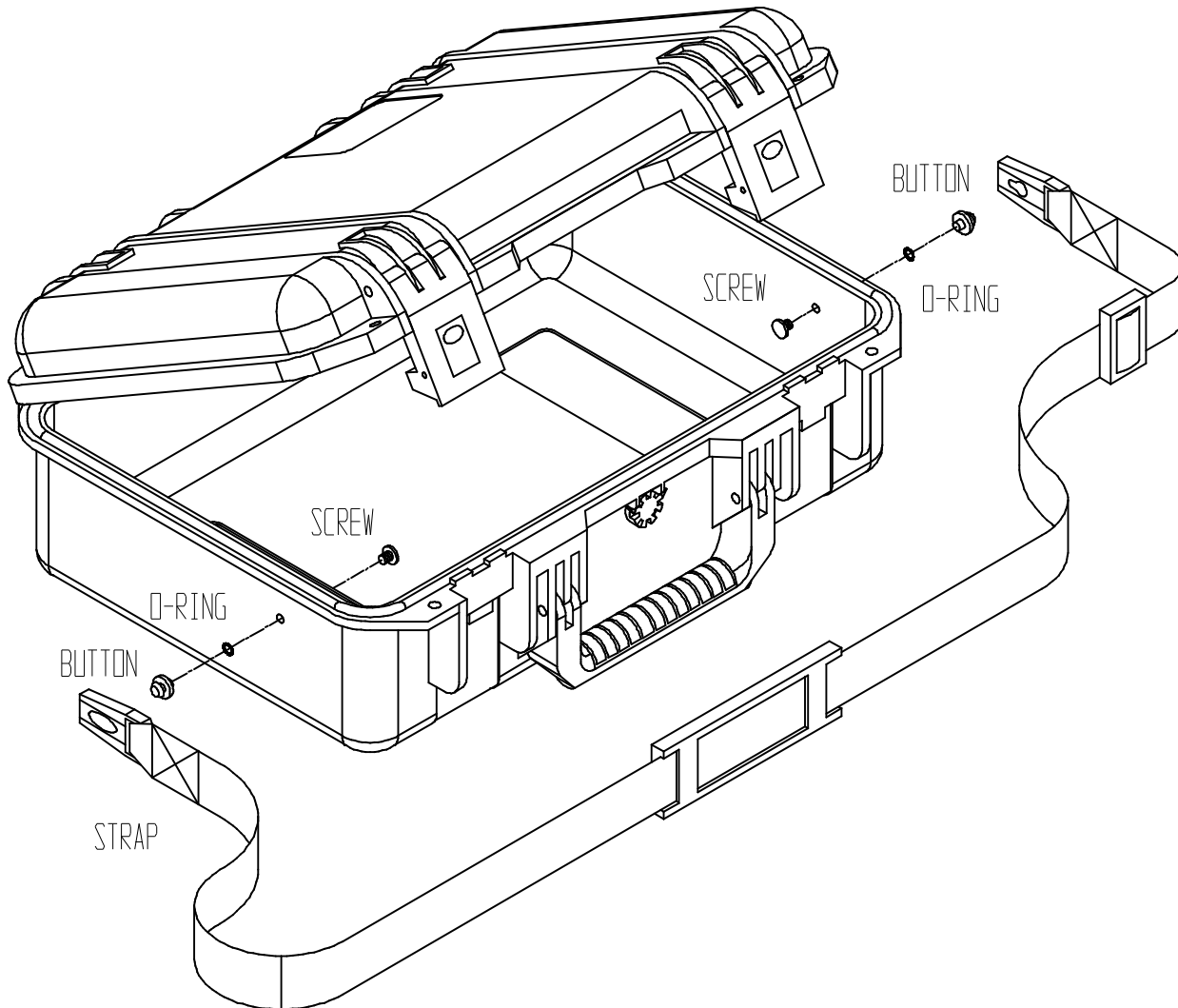


Installation Instructions for the iM Shoulder Strap Option



- Measure and mark a spot 2" from the Front edge of the Case, and at least 3/4" down from the underside of the parting line lip. (Or, you may locate the hole at the vertical midpoint of the case, as shown in the view at left - while maintaining the 2" distance from front - to - balance the strap on the case.)
- Drill out two 7/32" diameter holes as shown.
- Attach one O-Ring to the Button and place into the hole. Secure using the Screw. (Hold Button with pliers if needed.)
- Attach the Strap to the Buttons.



STORM CASE®