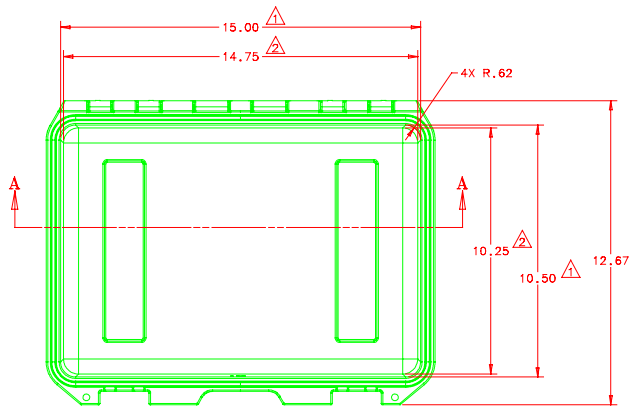
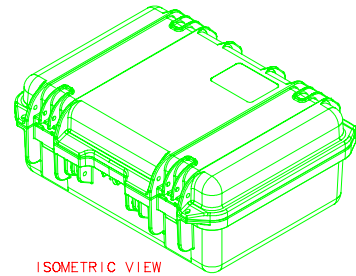


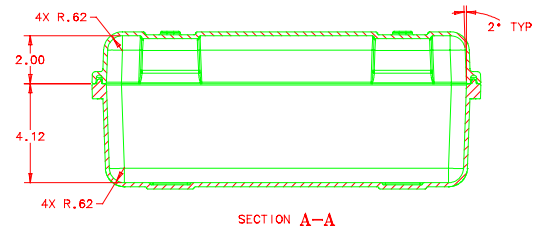
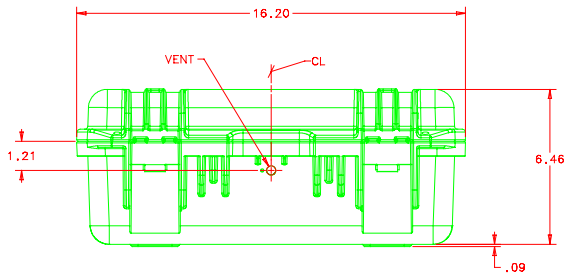
REV.	E.C.A.	DESCRIPTION	BY DATE	APP.



TOP VIEW
SHOWN WITH LID REMOVED



ISOMETRIC VIEW



NOTES:

- ▲ INTERIOR DIMENSION TAKEN AT PARTING LINE
- ▲ INTERIOR DIMENSION TAKEN NEAR BOTTOM OF BASE, AT TOP OF .62 RADIUS
- 3.) THIS DRAWING INTENDED TO BE USED FOR SIZING FOAM CUSHIONING, COMPLETE CASE ASSEMBLY NOT SHOWN, SHELLS NOT SOLD SEPARATELY.
- 4.) THIS DRAWING AND ALL COPIES AND THE DESIGN AND DATA SHOWN ARE THE PROPERTY OF HARDIG INDUSTRIES, INC. SO. DEERFIELD, MA U.S.A. AND INCLUDE PROPRIETARY INFORMATION.

REV. NO.	DATE	BY	APP.	DESCRIPTION

TITLE: DIMENSION ASSY IM2200 (SHELL)		HARDIG INDUSTRIES, INC. SOUTH DEERFIELD, MASSACHUSETTS 01929	
DATE	BY	DATE	BY
SCALE: 1/2	ISSUE NO. P111	REV. NO. P111-108	