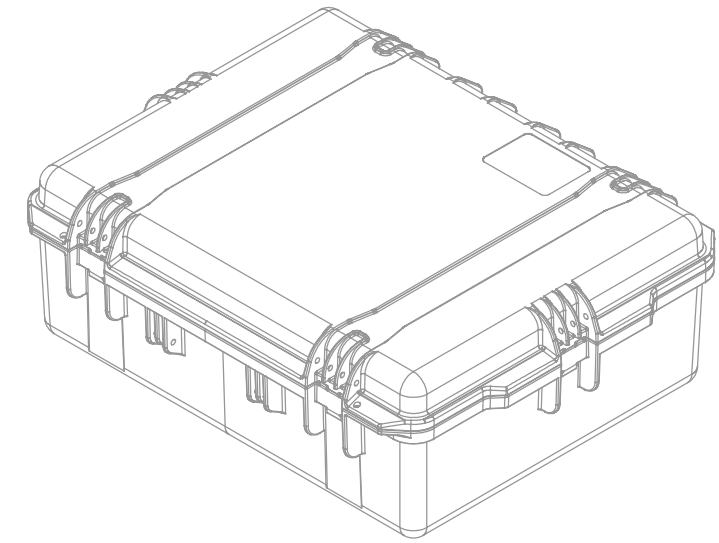
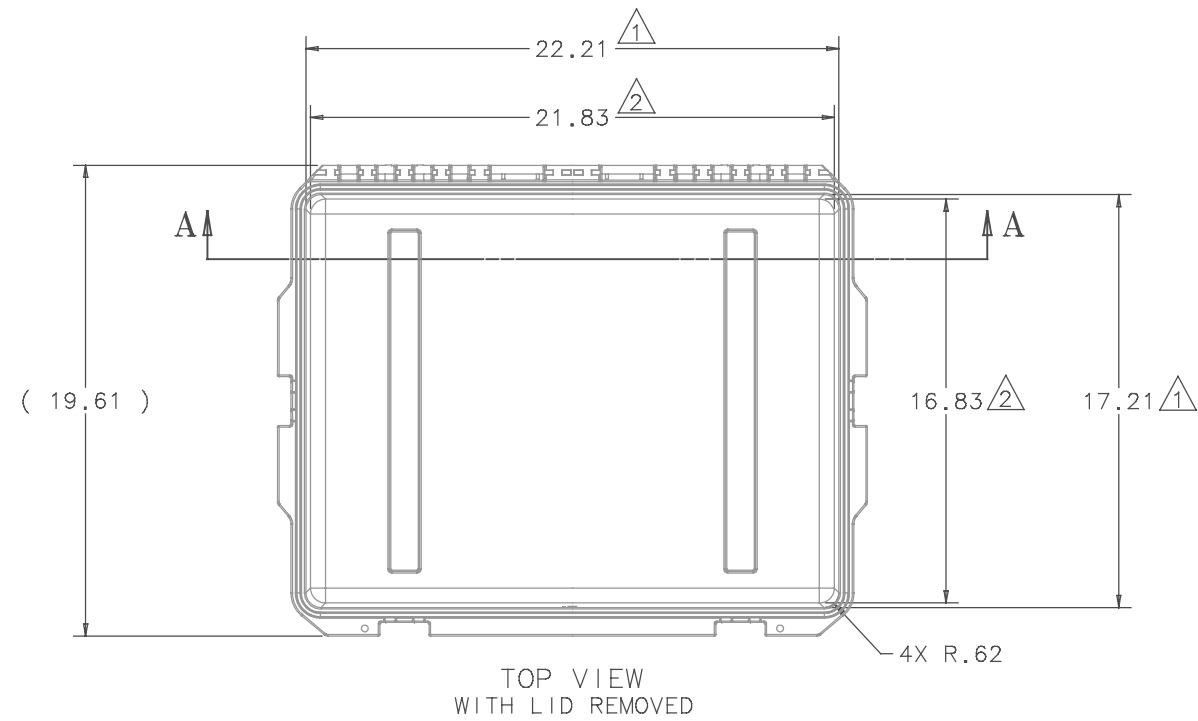
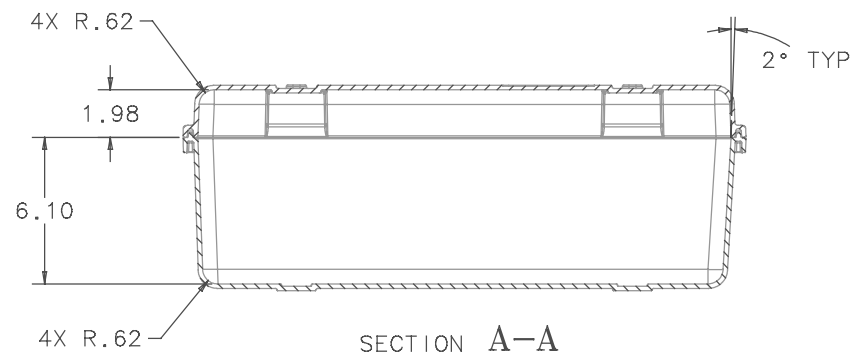
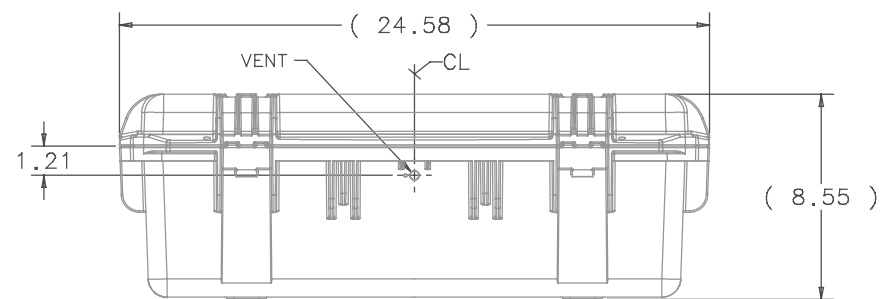


REV.	E.C.O.	DESCRIPTION	BY/DATE	APVD.



ISOMETRIC VIEW



NOTES:

- ① INTERIOR DIMENSION TAKEN AT PARTING LINE
- ② INTERIOR DIMENSION TAKEN NEAR BOTTOM OF BASE, AT TOP OF .62 RADIUS
- 3.) THIS DRAWING INTENDED TO BE USED FOR SIZING FOAM CUSHIONING, COMPLETE CASE ASSEMBLY NOT SHOWN. SHELLS NOT SOLD SEPARATELY.
- 4.) THIS DRAWING AND ALL COPIES AND THE DESIGN AND DATA SHOWN ARE THE PROPERTY OF HARDIGG INDUSTRIES, INC. SO. DEERFIELD, MA U.S.A. AND INCLUDE PROPRIETARY INFORMATION.

NEXT ASSY.		TOLERANCE UNLESS OTHERWISE SPECIFIED		±.XX	±.XXX	ANGLE	HARDIGG INDUSTRIES, INC. SOUTH DEERFIELD, MASSACHUSETTS 01373
DR. APONTE	DATE 3/19/02	ENGR.	DATE	APVD.	DATE	TITLE	
CHKD.	DATE	APVD.	DATE	DIMENSION ASSY iM2700 (SHELL)		SIZE D 11214 CAGE DWG. NO. P111-103 REV. 00	
<small>This drawing and all copies and the design and data shown are the property of HARDIGG INDUSTRIES, INC. So, Deerfield, MA U.S.A. and include proprietary information. The borrower by receipt or retention of the drawing agrees that, except as expressly authorized in writing by HARDIGG INDUSTRIES, INC. it will (1) not use the drawing or any copy of the design or data shown (2) not reproduce, copy, excerpt, exhibit or distribute the drawing or any copy for use by others and (3) upon demand return the drawing, all copies and all material copied therefrom.</small>							SCALE 1/4 DESIGN NO. P111