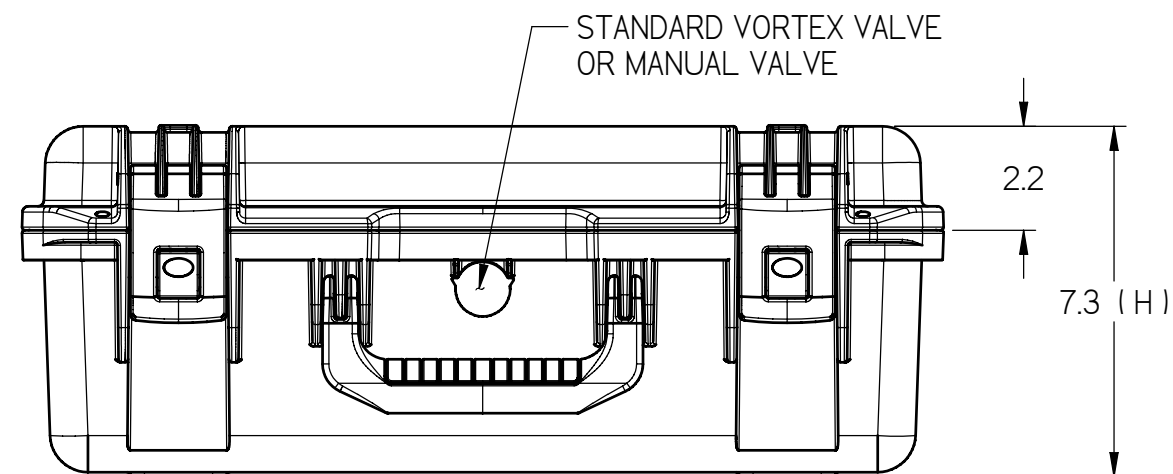
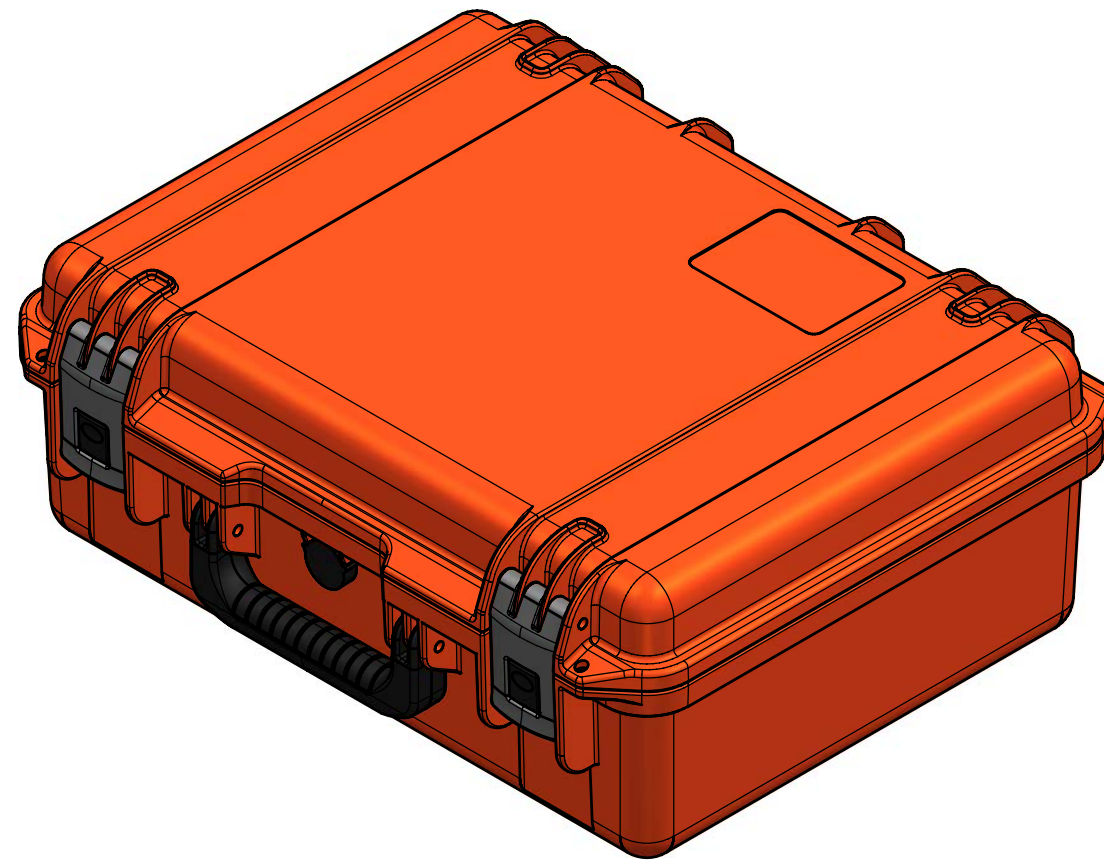
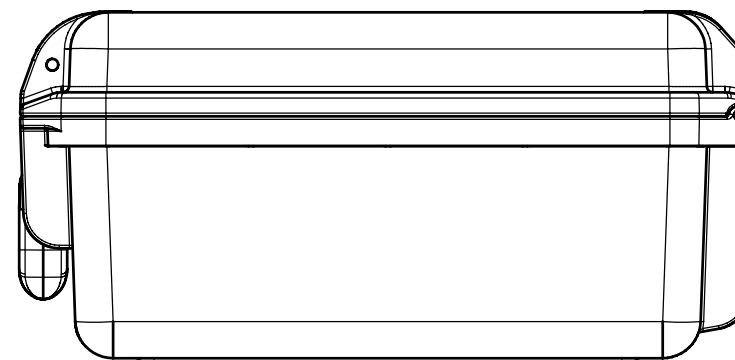


TOP VIEW

PADLOCKABLE HASP(S) LOCATION



FRONT VIEW



RIGHT SIDE VIEW

Model No.:	iM2400
Case Weight (lbs. Empty)	7.8 lbs.
Interior Length	18.0 in [457.2 mm]
Interior Width	13.0 in [330.2 mm]
Interior Height (overall)	06.7 in [170.2 mm]
Interior Lid Height	02.0 in [050.8 mm]
Exterior Length (L)	19.2 in [487.7 mm]
Exterior Width (W)	15.2 in [386.1 mm]
Exterior Height (H)	07.3 in [185.4 mm]
Master Pk. Qty.	3
Master Pk. Wt.	28.4 lbs

RECOMMENDED MAX PAYLOAD 40 LBS

COMPUTER CONTROLLED DOCUMENT
MANUAL CHANGES NOT ALLOWED

NOTES;

SEE STORM CASE LITERATURE FOR STANDARD CASE COLORS, CUSHION INTERIORS, AND P/N FOR ORDERING.

FOR REFERENCE ONLY

This drawing and all copies and the design and data shown are the property of HARDIGG INDUSTRIES, INC. South Deerfield, MA USA and include proprietary information. The borrower by receipt or retention of the drawing agrees that, except as expressly authorized in writing by HARDIGG INDUSTRIES, INC. it will (1) not use the drawing or any copy of the design or data shown (2) not reproduce, copy, excerpt, exhibit or distribute the drawing or any copy for use by others and (3) upon demand return the drawing, all copies and all material copies therefrom.

147 North Main Street
P.O. Box 201
South Deerfield, MA
01373-0201 USA
T: 413-665-2163 or
800-542-7344
F: 413-665-8061
<http://www.stormcase.com>



TITLE: Hardigg Storm Case

SIZE	CAGE CODE	Model No.	REV.
D	11214	iM2400	-
Scale 1/2			Sht No. 1 of 1