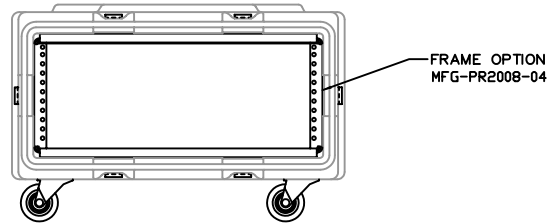
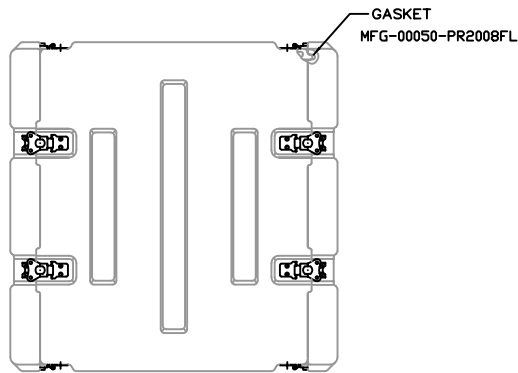
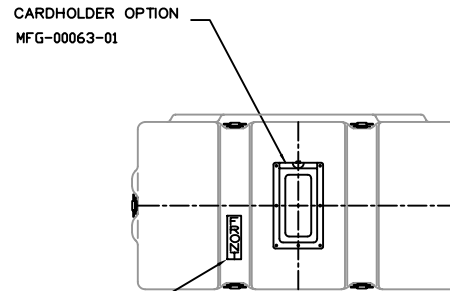
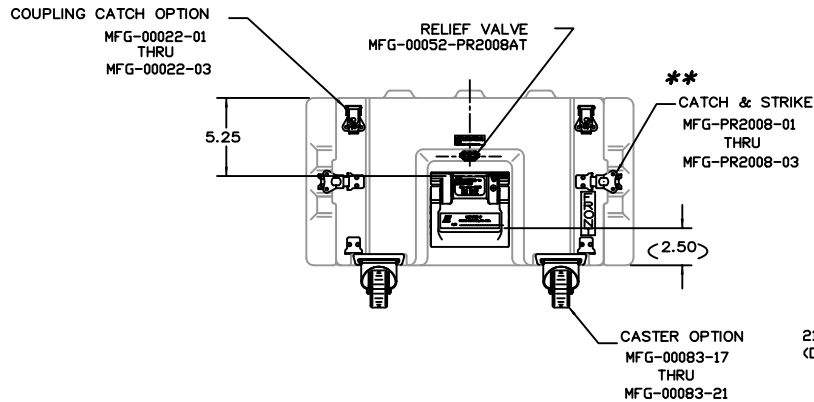


DIMENSIONS (FOR REFERENCE ONLY)	INCH	MM
OVERALL LENGTH MID SECTION	18.00	457.2
OVERALL WIDTH MID SECTION	22.38	568.5
OVERALL HEIGHT MID SECTION	11.75	298.5
INSIDE WIDTH (LEFT TO RIGHT)	19.63	498.6
INSIDE HEIGHT	8.50	215.9
OVERALL 2.00 LID THICKNESS	2.35	59.7
INSIDE 2.00 LID DEPTH	1.81	46.0

** ALTERNATIVE HARDWARE IS AVAILABLE FOR "***" ITEMS.



FRONT VIEW
(WITH LIDS REMOVED)



FRONT VIEW

MFG-00060-07
OR
21-LABEL-FRONT-H
(ORDER AS CONFIG+ ONLY)

NOTE: THIS DRAWING REPRESENTS HARDIGG'S STANDARD CASE OPTIONS, LOCATED IN STANDARD LOCATIONS. IF ALTERNATIVE OPTIONS OR LOCATIONS ARE REQUIRED, HARDIGG MUST QUOTE SEPERATELY.

HARDIGG INDUSTRIES, INC. <small>SOUTH DEERFIELD, MASSACHUSETTS 01275</small>		THIS DRAWING AND ALL COPIES AND THE DESIGN AND DATA SHOWN ARE THE PROPERTY OF HARDIGG INDUSTRIES, INC. SOUTH DEERFIELD, MA, U.S.A. AND INCLUDE PROPRIETARY INFORMATION. THE BORROWER BY RECEIPT OR RETENTION OF THE DRAWING AGREES THAT, EXCEPT AS EXPRESSLY AUTHORIZED IN WRITING BY HARDIGG INDUSTRIES, INC. IT WILL: (1) NOT USE THE DRAWING OR ANY COPY OF THE DESIGN OR DATA SHOWN (2) NOT REPRODUCE, COPY, EXCEPT, DIVERT OR DISTRIBUTE THE DRAWING OR ANY COPY FOR USE BY OTHERS AND (3) UPON DEMAND RETURN THE DRAWING AND ALL COPIES AND MATERIAL COPIED THEREFROM.
TITLE: STANDARD CONFIGURABLE CASE		
CAGE: 11214	DWG. NO.: PR2008-01/18/01	
E.O. NUMBER: 031837	REV: D	DATE: 93/03/17
DRAWN BY: AFONTE	DATE: 93/03/17	SHEET: 1 OF 1