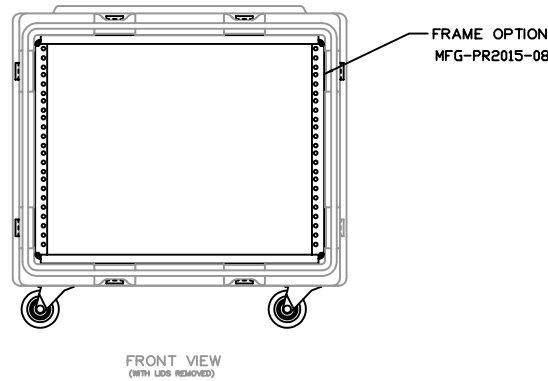
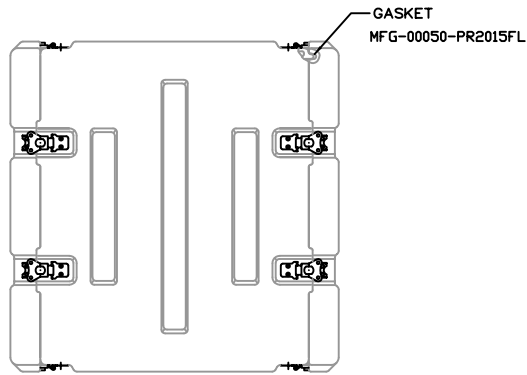


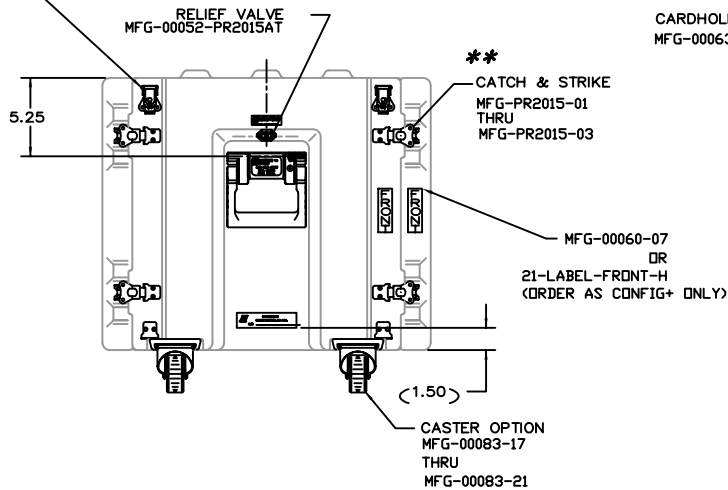
DIMENSIONS (FOR REFERENCE ONLY)	INCH	MM
OVERALL LENGTH MID SECTION	18.00	457.2
OVERALL WIDTH MID SECTION	22.38	568.5
OVERALL HEIGHT MID SECTION	18.75	476.2
INSIDE WIDTH (LEFT TO RIGHT)	19.63	498.6
INSIDE HEIGHT	15.50	393.7
OVERALL 2.00 LID THICKNESS	2.35	59.7
INSIDE 2.00 LID DEPTH	1.81	46.0

\*\* ALTERNATIVE HARDWARE IS AVAILABLE FOR "\*\*" ITEMS.

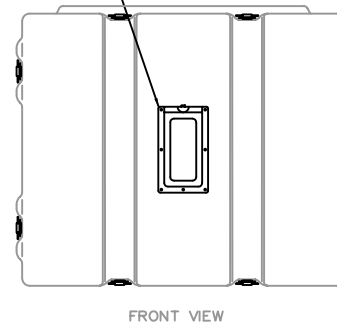


MFG-PR2026-14

COUPLING CATCH OPTION  
MFG-00022-01  
THRU  
MFG-00022-03



CARDHOLDER OPTION  
MFG-00063-01



NOTE: THIS DRAWING REPRESENTS HARDIGG'S STANDARD CASE OPTIONS, LOCATED IN STANDARD LOCATIONS. IF ALTERNATIVE OPTIONS OR LOCATIONS ARE REQUIRED, HARDIGG MUST QUOTE SEPERATELY.

<b>HARDIGG INDUSTRIES, INC.</b> <small>SOUTH DORSET, MASSACHUSETTS 01923</small>		<small>THIS DRAWING AND ALL COPIES AND THE DESIGN AND DATA SHOWN ARE THE PROPERTY OF HARDIGG INDUSTRIES, INC. SOUTH DORSET, MA U.S.A. AND INCLUDE PROPRIETARY INFORMATION. THE SUBSCRIBER BY RECEIPT OR RETENTION OF THE DRAWING AGREES THAT, EXCEPT AS EXPRESSLY AUTHORIZED IN WRITING BY HARDIGG INDUSTRIES, INC. IT WILL (1) NOT USE THE DRAWING OR ANY COPY OF THE DESIGN OR DATA SHOWN (2) NOT REPRODUCE, COPY, EXCEPT, EXHIBIT OR DISTRIBUTE THE DRAWING OR ANY COPY FOR USE BY OTHERS AND (3) UPON DEMAND RETURN THE DRAWING AND ALL COPIES AND MATERIAL COPIED THEREFROM.</small>	
<b>TITLE</b> STANDARD CONFIGURABLE CASE			
<b>CAGE</b> 11214	<b>DWG. NO.</b> PR2015-01/18/01		
<b>DRAWN BY:</b> APONIE	<b>DATE:</b> 93/05/10	<b>SHEET</b> 1 OF 1	

E.G.O. NUMBER  
031841

MFG-PR2015-01/18/01