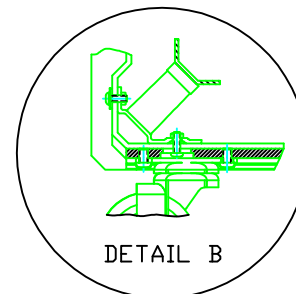
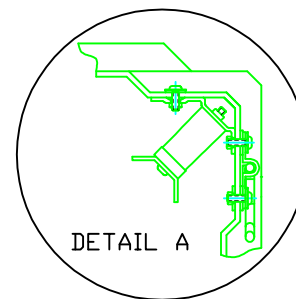
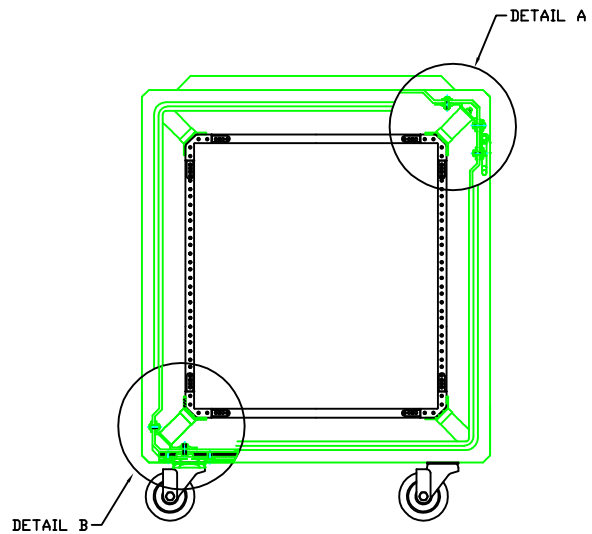
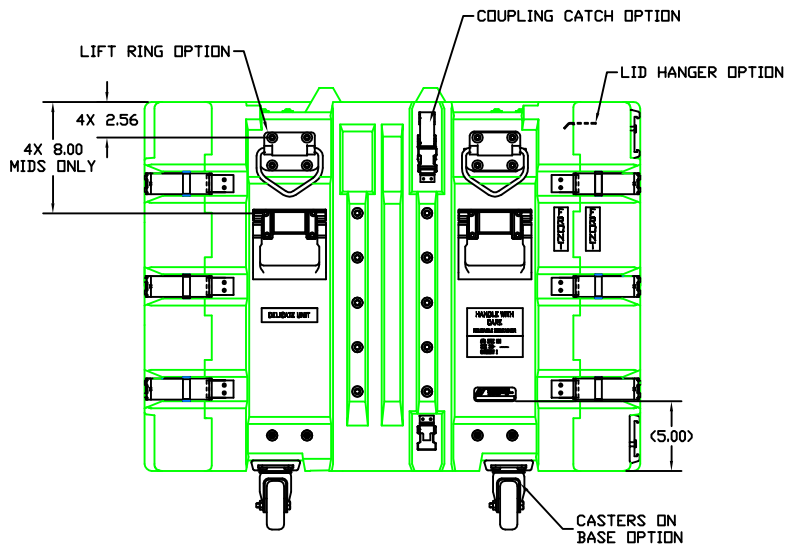


DIMENSIONS (FOR REFERENCE ONLY)	INCH	MM
OVERALL LENGTH MID SECTION	26.00	660.4
OVERALL WIDTH MID SECTION	25.00	635.0
OVERALL HEIGHT MID SECTION	27.75	704.8
INSIDE WIDTH (LEFT TO RIGHT)	22.50	571.5
INSIDE HEIGHT	23.62	654.0
OVERALL 3.00 LID THICKNESS	4.81	122.1
INSIDE 3.00 LID DEPTH	3.00	76.2

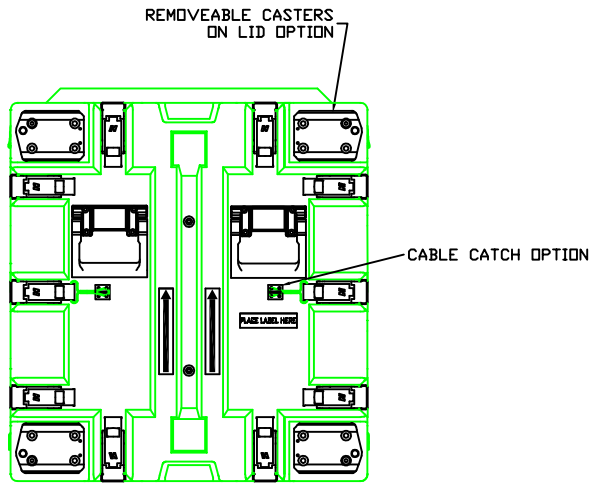


NOTE:  
THIS DRAWING REPRESENTS HARDIGG'S STANDARD CASE OPTIONS, LOCATED IN STANDARD LOCATIONS. IF ALTERNATIVE OPTIONS OR LOCATIONS ARE REQUIRED, HARDIGG MUST QUOTE SEPARATELY. FOR ADDITIONAL CONTAINER OPTIONS SEE SEPARATE OPTION DRAWINGS.

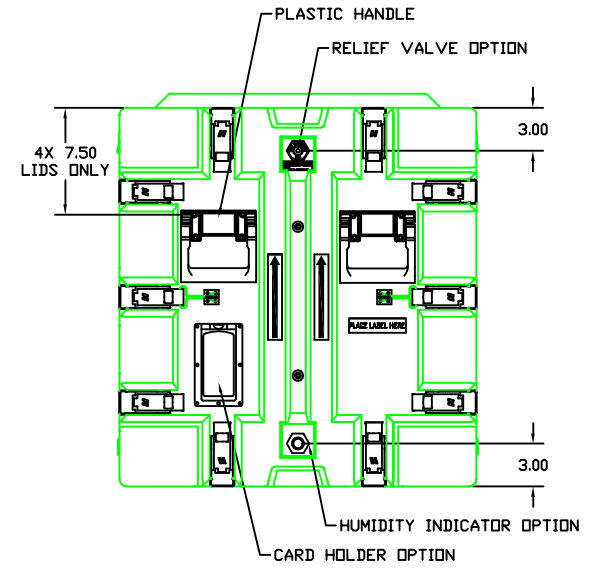
FRONT LID DESIGNATION REAR LID DESIGNATION

HARDIGG INDUSTRIES, INC. SOUTH WINDFELD, MASSACHUSETTS 01937		THIS DRAWING AND ALL COPIES AND THE DESIGN AND DATA SHOWN ARE THE PROPERTY OF HARDIGG INDUSTRIES, INC. SO. WINDFELD, MA, USA. AND INCLUDE PROPRIETARY INFORMATION. THE BORROWER BY RECEIPT OR RETENTION OF THE DRAWING AGREES THAT, EXCEPT AS EXPRESSLY AUTHORIZED IN WRITING BY HARDIGG INDUSTRIES, INC. IT WILL NOT USE THE DRAWING OR ANY COPY OF THE DESIGN OR DATA SHOWN OR NOT REPRODUCE, COPY, EXCEPT, EXHIBIT OR BEST REPRODUCE THE DRAWING OR ANY COPY FOR USE BY OTHERS AND TO UPON DEMAND RETURN THE DRAWING AND ALL COPIES AND MATERIAL COPIED THEREFROM.	
TITLE STANDARD CONFIGURABLE CASE			
CAGE	DRWG. NO.	RD2224-XX/26/XX	
REV. D	DRAWN BY C. THEOREAU	DATE 01JUN15	SHEET 1 OF 1

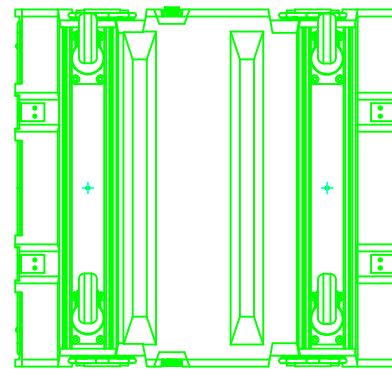
RD2224-XX/26/XX



REAR LID



FRONT LID



BOTTOM VIEW (WITH LIDS REMOVED)

RD2224-XX/26/XX

COMPUTER BUSINESS SOLUTIONS			
DESIGN, MANUFACTURE, SERVICE, SUPPORT			
MINNEAPOLIS, MN			
DATE	FIG. NO.	REV.	
D 11214	RD2224-XX/26/XX	D	
TITLE: CONFIG		SHEET 2 OF 2	