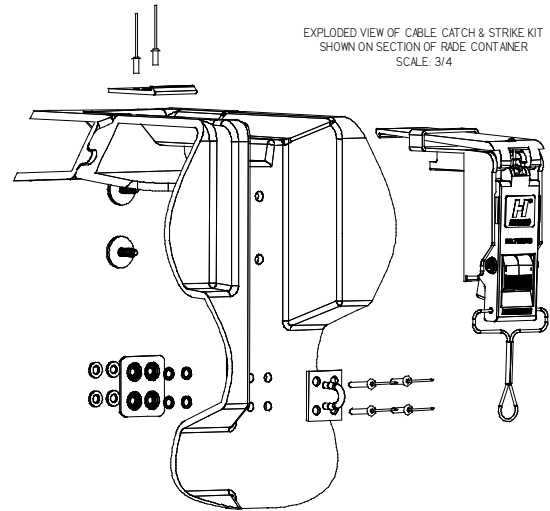
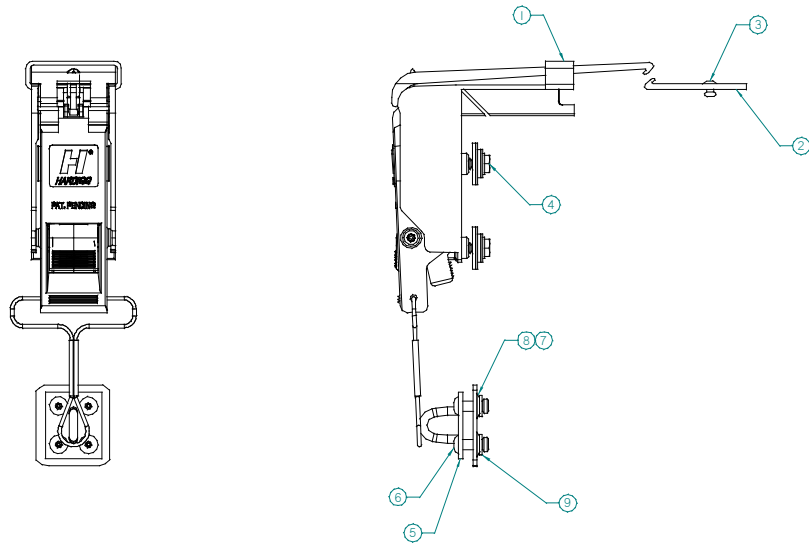


ITEM	DESCRIPTION	PART NO.	Mfr. CAGE	QTY.	REVISION HISTORY					
					ZONE	REV	E.C.O.	DESCRIPTION	BY/DATE	APPROVED/DATE
1	LATCH ASSEMBLY, 3" LID	P101-59		1						
2	STRIKE	P101-16		1						
3	RVT,GSSMD43-SS-BLOX			2						
4	SCREW / WASHER ASSY	P101-030		2						
5	Staple #30S, for Cable Hasp	Staple#30S-BLK		1						
6	RIVET	AD68H-BLK	OCLN7	4						
7	O-RING	2-008	02697	4						
8	BACK-UP PLATE, STAPLE	P021-1248		1						
9	WSHR,S-BUP,3/16,P21-882	P21-0882-02	11214	4						



EXPLODED VIEW OF CABLE CATCH & STRIKE KIT
SHOWN ON SECTION OF TRADE CONTAINER
SCALE: 3/4

INSTALLATION

1. USING APPROPRIATE FIXTURES DRILL HOLES INTO CONTAINER LID FOR CATCH (ITEM 1) AND STAPLE (ITEM 5).
2. USE RIVETS (ITEM 3) TO SECURE STRIKE (ITEM 2) INTO MOLDED-IN INSERTS OF CONTAINER MIDSECTION.
3. PLACE SCREW (ITEM 4) THRU CONTAINER LID WALL (FROM THE INSIDE) AND INTO PILOTS OF CABLE CATCH (ITEM 1). USE APPROVED TORQUE GUN TO SECURE.
4. POP RIVET (ITEM 6) THRU STAPLE (ITEM 5), CONTAINER WALL, O RING (ITEM 7), BACK-UP PLATE (ITEM 8), AND BACK-UP WASHER (ITEM 9).

REF:
UNIT:
CONTRACT NO.

COMPUTER CONTROLLED DOCUMENT
MANUAL CHANGES NOT ALLOWED

NEXT ASSY:		SCALE: 1/1	
TOLERANCE: UNLESS OTHERWISE SPECIFIED:	± .XX	± .XXX	± ANGLE
DR: CATHY LABRIE	DATE: 30-01-05	ENGR: CATHY LABRIE	DATE: 01-02-02
CHKD:	DATE:	APRD:	DATE:
<small>This drawing and all copies and the data herein shall remain the property of HARDIGG INDUSTRIES, INC. No part of this drawing or any information thereon, including drawings, specifications, or data, shall be reproduced, stored in a retrieval system, or transmitted in any form or by any means, electronic, mechanical, photocopying, recording, or by any information storage and retrieval system, without the prior written permission of HARDIGG INDUSTRIES, INC. This drawing is the property of HARDIGG INDUSTRIES, INC. and shall not be used for any other purpose without the prior written permission of HARDIGG INDUSTRIES, INC.</small>		HARDIGG® INDUSTRIES, INC. South Deerfield, Massachusetts 01373 USA	
TITLE: KIT, RADE CABLE CATCH & STRIKE		SIZE: D	REV: -
CAGE CODE: 11214		DWG NO: P73-101	
PROJ. NO: P73		SHEET 1 OF 1	