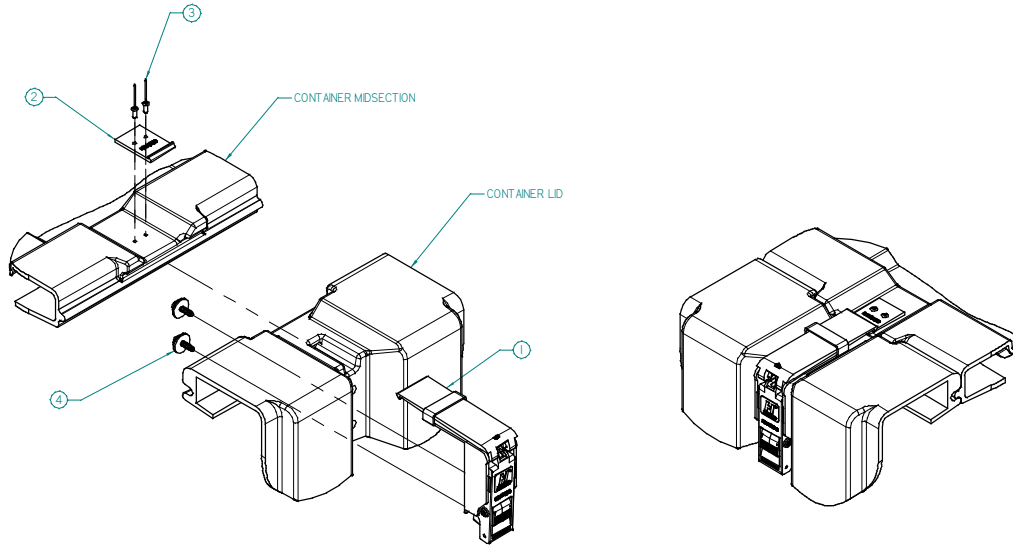
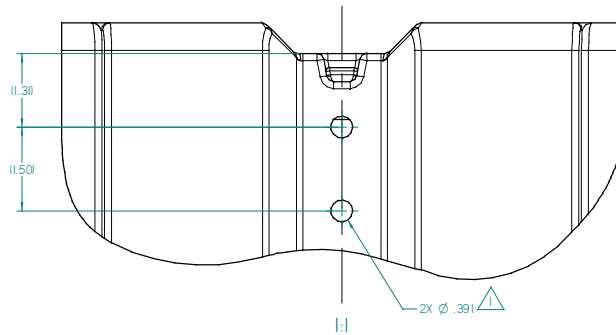


ITEM	DESCRIPTION	PART NO.	Mfr. CAGE	QTY.	REVISION HISTORY				
					ZONE	REV	E.C.O.	DESCRIPTION	BY/DATE
1	LATCH ASSEMBLY, 3" LID	P101-1		1					
2	STRIKE	P101-16		1					
3	RIVET	GSSMD43-SS-BLOX		2					
4	SCREW/WASHER ASSEMBLY	P101-30		2					



INSTALLATION

- 1. INSTALLATION HOLE FOR CATCH ITEM 11 TO BE .25/64 DR.
- 2. CATCH INSTALLATION: INSERT SCREW (ITEM 2) THROUGH CONTAINER WALL AND INTO CATCH. FASTEN USING AN APPROVED TORQUE GUN.
- 3. STRIKE INSTALLATION: INSERT RIVET (ITEM 3) THROUGH STRIKE (ITEM 2) AND INTO MOLDED-IN INSERT. FASTEN USING AN APPROVED RIVET GUN.



REF:
UNIT:
CONTRACT NO.

COMPUTER CONTROLLED DOCUMENT
MANUAL CHANGES NOT ALLOWED

NEXT ASSY: N/A		SCALE: 1/2	
TOLERANCE: UNLESS OTHERWISE SPECIFIED: ± .005		± .005 ± .005 ± .005	
DR: CHRIS PATSTONE	DATE: 01-02-14	EXDR: CHRIS PATSTONE	DATE: 01-01-13
CHKD:	DATE:	APPRD:	DATE:
<small>This drawing and all copies and the data herein shall remain the property of HARDIGG INDUSTRIES, INC. No part of this drawing shall be reproduced or transmitted in any form or by any means, electronic, mechanical, photocopying, recording, or by any information storage and retrieval system, without the prior written permission of HARDIGG INDUSTRIES, INC. It is the responsibility of the user to ensure that all copies of this drawing are accurate and up-to-date. The user shall be responsible for any changes or modifications to this drawing. The user shall be responsible for any errors or omissions in this drawing. The user shall be responsible for any damage or loss of data resulting from the use of this drawing. The user shall be responsible for any other consequences of the use of this drawing.</small>		HARDIGG INDUSTRIES, INC. South Deerfield, Massachusetts 01373 USA	
TITLE: KIT, RADE CATCH & STRIKE		SIZE: D	REV: -
PROJ. NO: 11214	DWG. NO: P73-100	SHEET: P73	1 OF 1