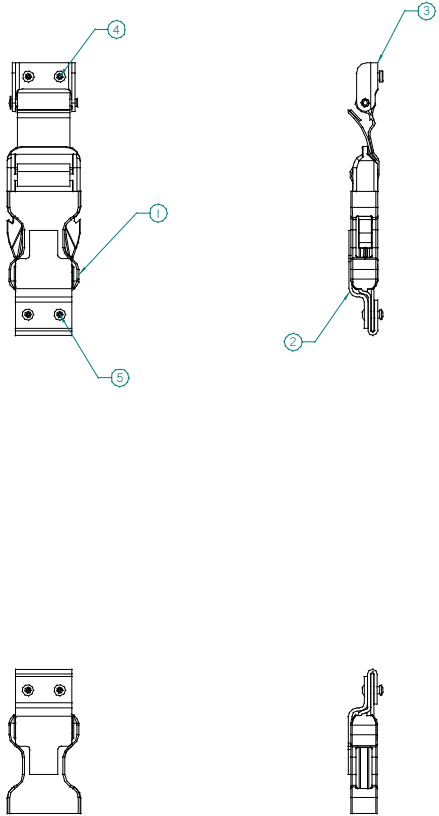
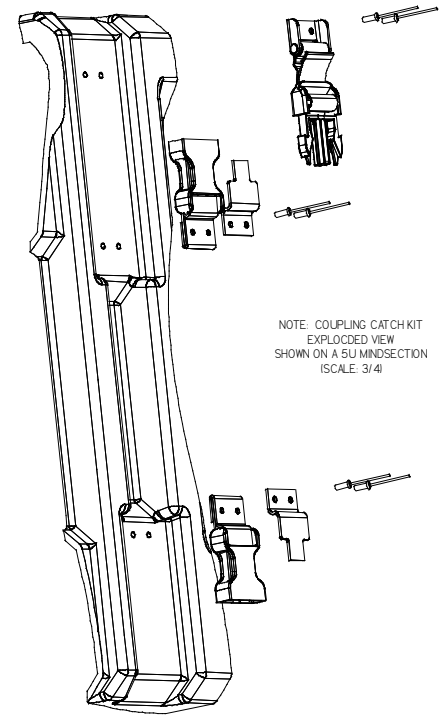


ITEM	DESCRIPTION	PART NO.	Mfr. CAGE	QTY.
1	RECEIVER, COUPLING CATCH	P101-25		4
2	KEEPER, COUPLING CATCH	P101-53		4
3	CLIP ASSY, COUPLING CATCH	P101-26		2
4	RIVET	SSD425SBS, BLK	81349	4
5	RIVET	SSD465SBS, BLK		8

REVISION HISTORY				
ZONE	REV	E.C.D.	DESCRIPTION	BY/DATE



- INSTALLATION:
1. FASTEN CLIP ASSEMBLY (ITEM 3) TO RECEIVER (ITEM 1)
 2. POP RIVETS (ITEM 4) THRU CLIP (ITEM 3), AND INTO MOLDED-IN INSERT AND FASTEN
 3. POP RIVETS (ITEM 5), THRU KEEPER (ITEM 2) AND RECEIVER (ITEM 1) AND INTO MOLDED-IN INSERT.
 4. REPEAT STEP 3 FOR KEEPER AND RECEIVER AT BOTTOM OF MIDSECTION
 5. REPEAT STEPS 1-4 FOR COUPLING CATCH ON OPPOSITE SIDE OF MIDSECTION



NOTE: COUPLING CATCH KIT EXPLODED VIEW SHOWN ON A 5/8 MIDSECTION SCALE: 3/4

REF: HARDIGG CASES
 UNIT: N/A
 CONTRACT NO.

COMPUTER CONTROLLED DOCUMENT
 MANUAL CHANGES NOT ALLOWED

NEXT ASSY:		SCALE: 1/1	
TOLERANCE UNLESS OTHERWISE SPECIFIED:		± .000 ± .000 ± .000 ± .000	
DR: CATHY LABRIE	DATE: 30-01-05	ENGR: CATHY LABRIE	DATE: 01-03-09
CHKD:	DATE:	APPRD:	DATE:
<small>This drawing and all copies are the sole property of HARDEGG INDUSTRIES, INC. No part of this drawing is to be reproduced or transmitted in any form or by any means, electronic or mechanical, including photocopying, recording, or by any information storage and retrieval system, without the prior written permission of HARDEGG INDUSTRIES, INC. It is the responsibility of the user to ensure that all copies of this drawing are accurate and up-to-date. All copies of this drawing are the property of HARDEGG INDUSTRIES, INC. and are to be used only for the purpose intended. All other uses are prohibited.</small>		TITLE: RADE COUPLING CATCH KIT SIZE: D CASE CODE: 11214 DWG NO: P73-105 REV: - PROJ. NO.: P73 SHEET 1 OF 1	