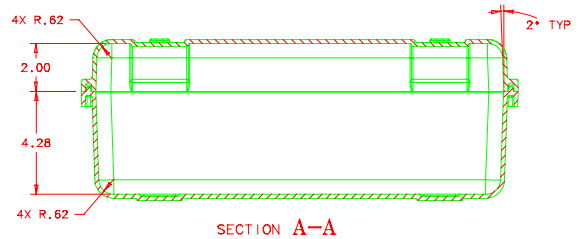
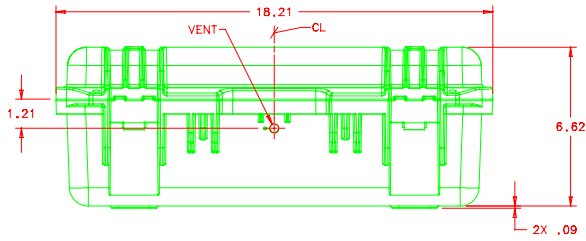
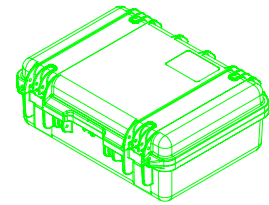
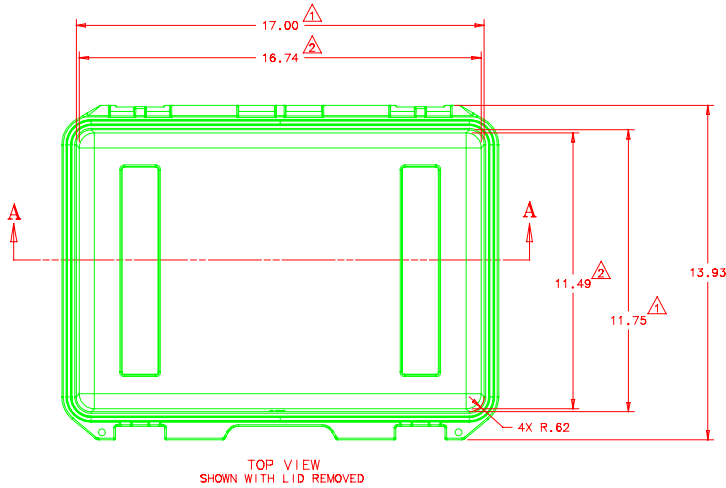


REV.	E.C.A.	DESCRIPTION	BY DATE	APP.
------	--------	-------------	---------	------



NOTES:

- 1. INTERIOR DIMENSION TAKEN AT PARTING LINE
- 2. INTERIOR DIMENSION TAKEN NEAR BOTTOM OF BASE, AT TOP OF .62 RADIUS
- 3.) THIS DRAWING INTENDED TO BE USED FOR SIZING FOAM CUSHIONING, COMPLETE CASE ASSEMBLY NOT SHOWN, SHELLS NOT SOLD SEPARATELY.
- 4.) THIS DRAWING AND ALL COPIES AND THE DESIGN AND DATA SHOWN ARE THE PROPERTY OF HARDIGG INDUSTRIES, INC. SO, DEERFIELD, MA U.S.A. AND INCLUDE PROPRIETARY INFORMATION.

REV. NO.	DATE	BY	APP.	DESCRIPTION
1	04/11/2011	DA	DA	INITIAL RELEASE
2	07/20/11	DA	DA	REVISION

TOLERANCE UNLESS OTHERWISE SPECIFIED		HARDIGG INDUSTRIES, INC.	
DIM. APORTE		SOUTH DEERFIELD, MASSACHUSETTS 01929	
DATE		TITLE	
04/11/2011		DIMENSION ASSY	
		IM2300 (SHELL)	
SIZE	DATE	REV. NO.	REV.
D	11214	P111-107	-
SCALE	1/2	ISSUE NO.	P111