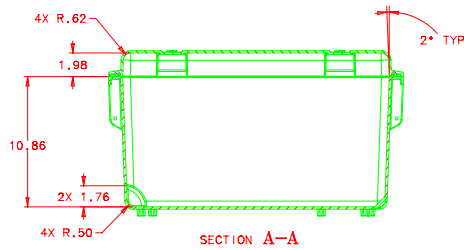
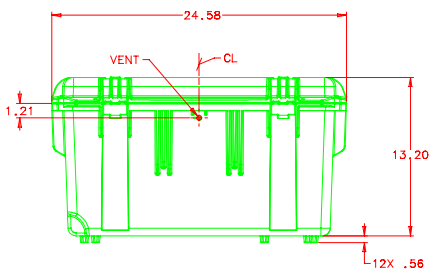
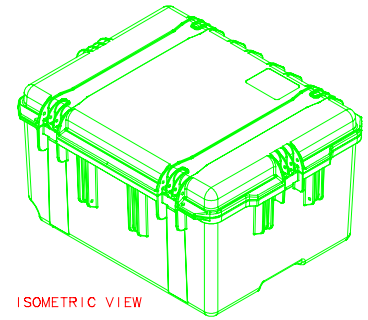
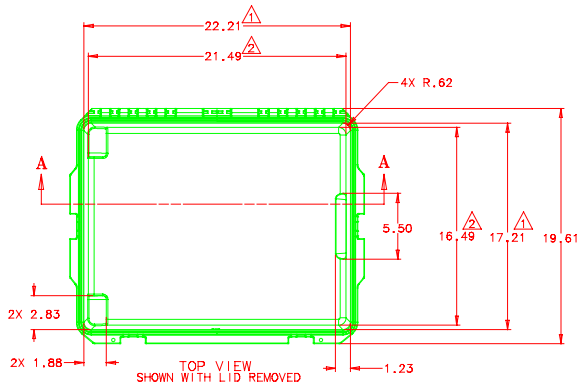


REV.	E.C.A.	DESCRIPTION	BY DATE	APP.
------	--------	-------------	---------	------



NOTES:

- △ INTERIOR DIMENSION TAKEN AT PARTING LINE
- △ INTERIOR DIMENSION TAKEN NEAR BOTTOM OF BASE, AT TOP OF .50 RADIUS
- 3.) THIS DRAWING INTENDED TO BE USED FOR SIZING FOAM CUSHIONING, COMPLETE CASE ASSEMBLY NOT SHOWN. SHELLS NOT SOLD SEPARATELY.
- 4.) THIS DRAWING AND ALL COPIES AND THE DESIGN AND DATA SHOWN ARE THE PROPERTY OF HARDIGG INDUSTRIES, INC. SO, DEERFIELD, MA U.S.A., AND INCLUDE PROPRIETARY INFORMATION.

REV. NO.	DATE	BY	APP.	DATE	APP.
1	04/18/2018	DA			
2	07/25/18	DA			
3					
4					
5					
6					
7					
8					
9					
10					
11					
12					
13					
14					
15					
16					
17					
18					
19					
20					
21					
22					
23					
24					
25					
26					
27					
28					
29					
30					
31					
32					
33					
34					
35					
36					
37					
38					
39					
40					
41					
42					
43					
44					
45					
46					
47					
48					
49					
50					
51					
52					
53					
54					
55					
56					
57					
58					
59					
60					
61					
62					
63					
64					
65					
66					
67					
68					
69					
70					
71					
72					
73					
74					
75					
76					
77					
78					
79					
80					
81					
82					
83					
84					
85					
86					
87					
88					
89					
90					
91					
92					
93					
94					
95					
96					
97					
98					
99					
100					